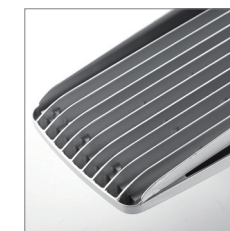


Jupiter Series Street Light

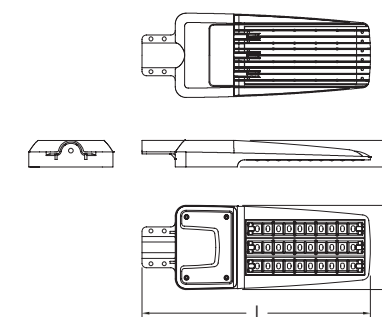
- Adopting integrated outline design and the shape is compact and elegant.
- With instant startup and cozy lighting output, it is ensured with excellent performance.
- Long lifespan, high efficiency and economic in cost make it an environmentally friendly product.
- Various applications like roads in countryside, park and residential area.



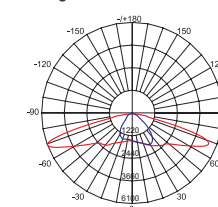
IP 65

Item No.	System Power (W)	Module Qty	Lumen Output 5000K (lm)	CCT	Driver Efficiency	Dimension(mm)
RL2N2001	22	1	1800	5000±300K	>92%	L515×W190×H60
RL2N2002	45	2	3600	5000±300K	>92%	L515×W190×H60
RL2N2003	67	3	5400	5000±300K	>92%	L515×W190×H60

Ordering Information	RL2N	2003	A3	50	DB	V27	1	1
	1	2	3	4	5	6		
1 System Power	2001: 22W	2002: 45W	2003: 67W					
2 Light Distribution	A3							
3 Color Temp	30: 3000±300K	40: 4000±300K	50: 5000±300K					
4 Housing Color	CG: Cold Grey	SG: Silver Grey	BK: Black	DB: Dark Blue				
5 Input Voltage	A22: AC 220-240 V		V27: AC 120-277V					
6 Control Mode	0: Without	1: Timer	2: ZigBee	6: Photocell	0-10V Dim	Dali Control	PLC	



Light Distribution Curve



Luminous Intensity Unit : cd/km
Lens Code : A3L117
Type III